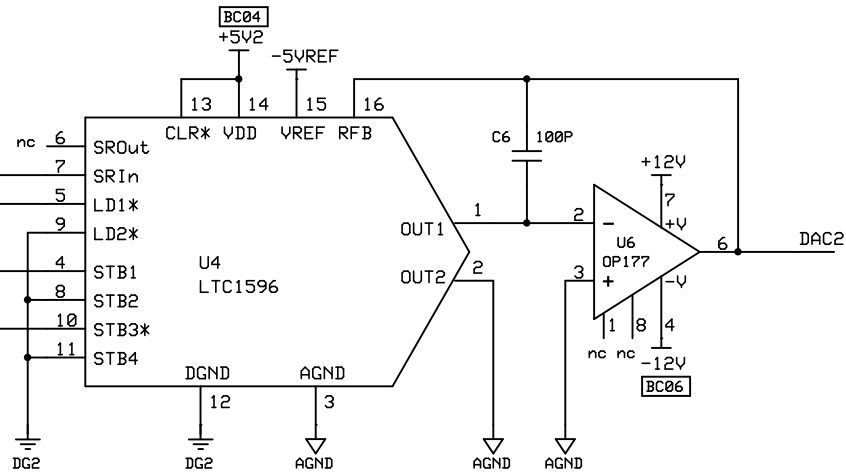
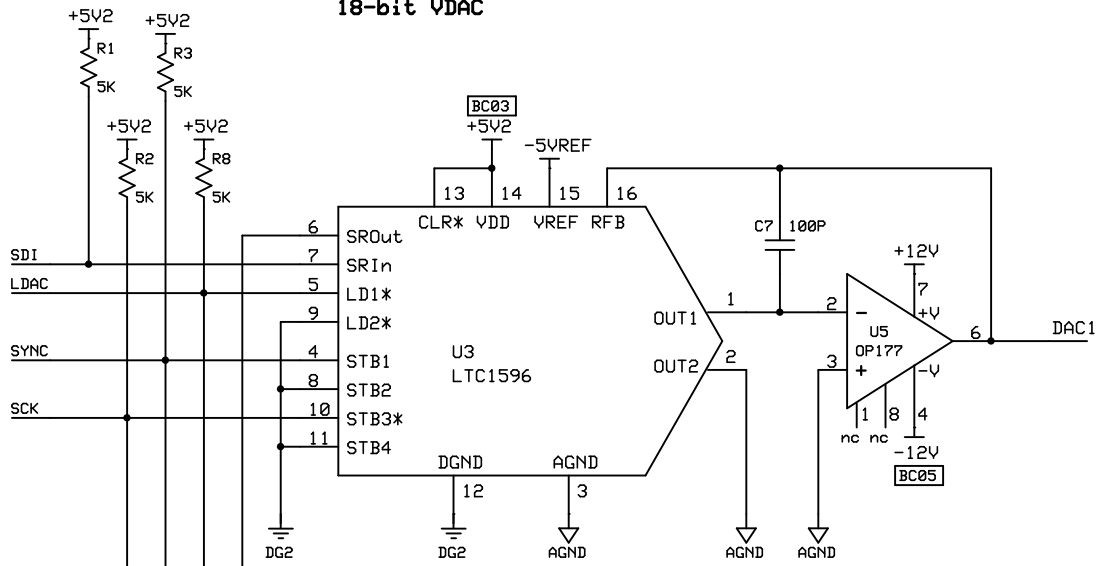
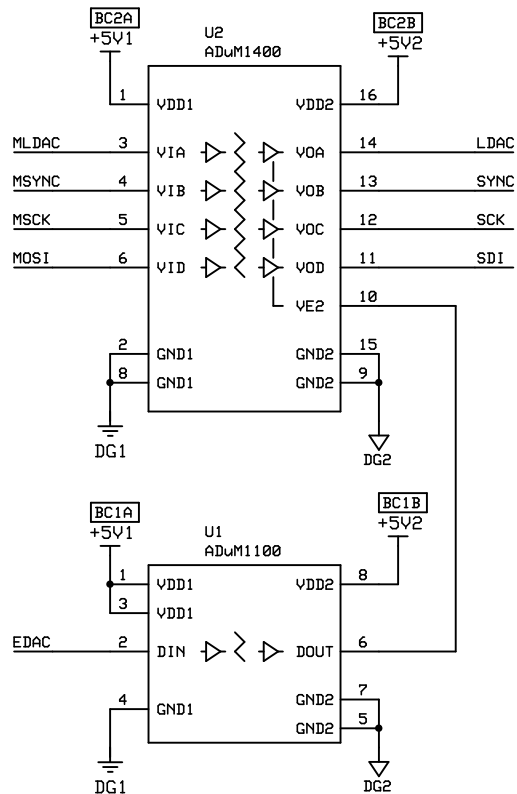
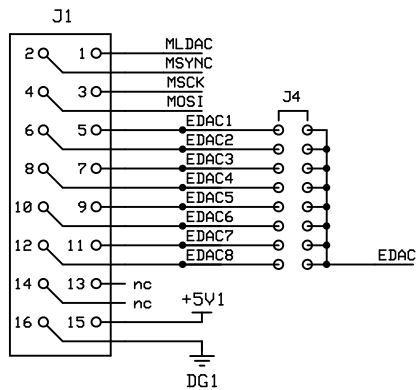


18-bit VDAC

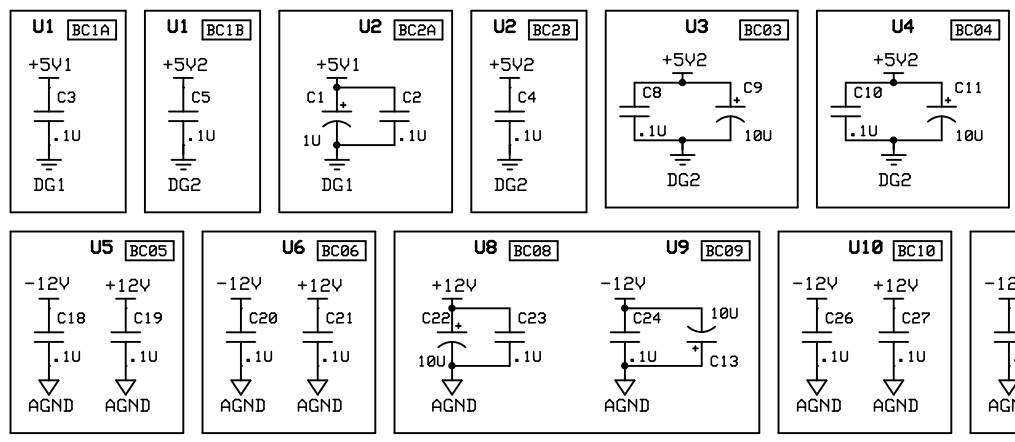
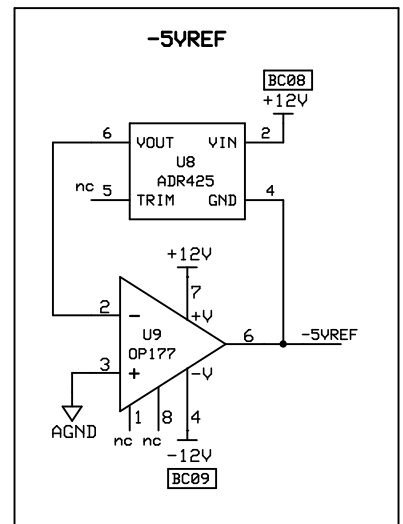
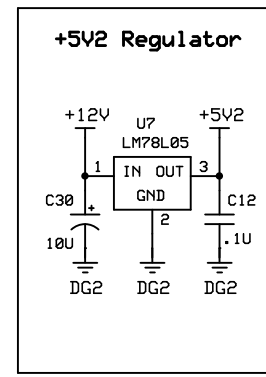
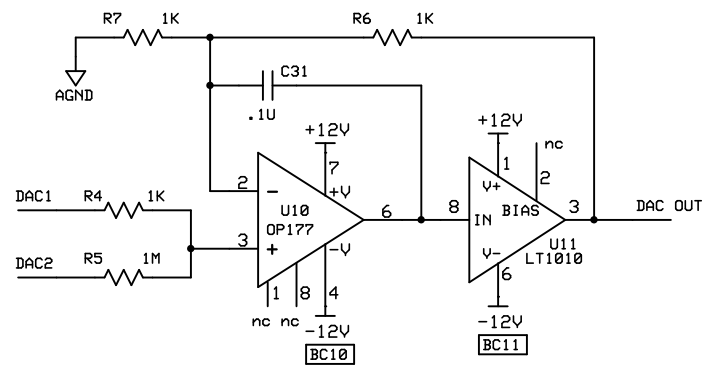
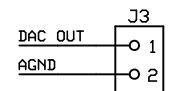
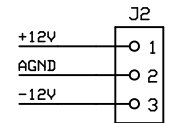


single point ground

Locate single point ground near U3, U4, U5 & U6

DAC18v_a.sch
 Sheet 1/2 : WED.041027.LF
 rev.WED.041208.1459.LF

Capacitors C6 & C7(100pf) and C31(0.1uf) are surface mount chips. The footprint is SMT-1206.



DAC18v_a.sch
 Sheet 2/2 : WED.041027.LF
 rev.WED.041208.1459.LF